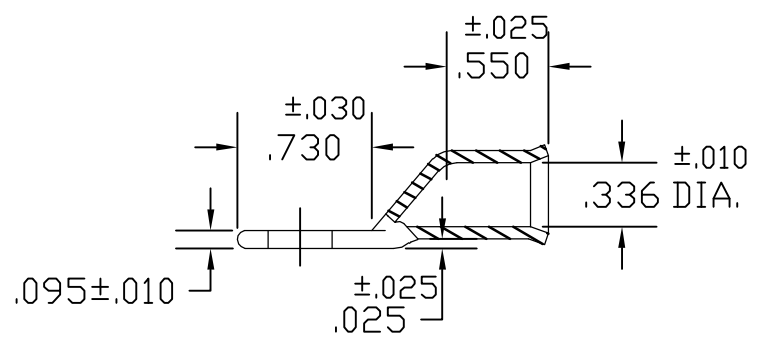
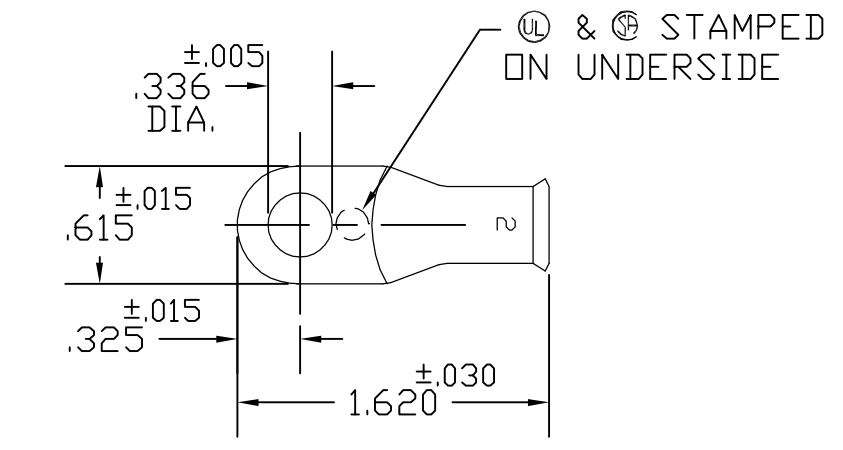


THIS DRAWING IS UNPUBLISHED. RELEASED FOR PUBLICATION  
 © COPYRIGHT BY TYCO ELECTRONICS CORPORATION. ALL RIGHTS RESERVED.

LOC	DIST	REVISIONS					
		P	LTR	DESCRIPTION	DATE	DWN	APVD
G	50		A1	REV PER ECR 06-006958	05APR06	JR	DD



ACTIVE	2561-01	STANDARD	TIN PLATE	1526397-2
ACTIVE	2561-00	STANDARD	PLAIN	1526397-1
STATUS	AET P/N	PACKAGING	FINISH	PART NUMBER

THIS DRAWING IS A CONTROLLED DOCUMENT.		DWN D.A.A. 10/11/00	Tyco Electronics Corporation Harrisburg, PA 17105-3608	
DIMENSIONS: INCHES		CHK H.D.F. 10/11/00		
		APVD H.D.F. 10/11/00	2 STANDARD TERMINAL	
TOLERANCES UNLESS OTHERWISE SPECIFIED:		PRODUCT SPEC	-	
0 PLC ± -		APPLICATION SPEC	-	
1 PLC ± -		WEIGHT	-	
2 PLC ± -		SIZE	CAGE CODE	DRAWING NO
3 PLC ± -		A3 00779		RESTRICTED TO
4 PLC ± -		G-1526397		-
ANGLES ± -		CUSTOMER DRAWING		
MATERIAL COPPER ASTM B-152		FINISH -		SCALE 1:1
				SHEET 1 OF 1
				REV A1